

45JX100K/45ZY68 永磁直流行星齿轮电机

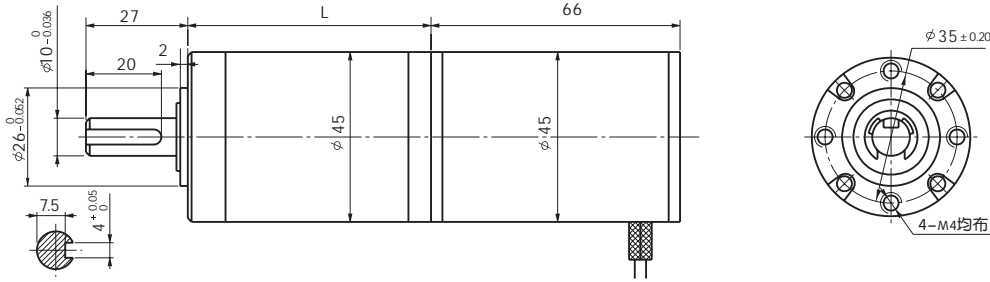
PM DC PLANETARY
GEAR MOTOR

产品特点 and 用途 Description of the product

- 直径45mm的行星齿轮减速器，允许负载10N.m。
45mm OD planetary gearbox with rated torque up to 10N.m.
- 电动机的引出线也可以是“后出线”，订货时未作特别说明的，厂家任意供货。
Lead wires either run out through the motor housing or the rear cover.



外形和安装尺寸 Dimensions



电动机主要技术参数 Motor Technical Data

电机型号 TYPE	额定电压 Rated voltage (VDC)	空载转速 No-load speed (r/min)	空载电流 No-load current (A)	额定转速 Rated speed (r/min)	额定转矩 Rated torque (mN.m)	输出功率 Output power (W)	额定电流 Rated current (A)	堵转力矩 Stall torque (mN.m)	堵转电流 Stall current (A)
45ZY68-1230	12	3000	0.50	2400	43	10	1.6	176	5.4
45ZY68-2430	24	3000	0.25	2400	43	10	0.8	176	2.7
45ZY68-2440	24	4000	0.35	3200	43	14	1.0	215	3.0

齿轮减速电机主要技术参数 Gear motor Technical Data

电机型号(Type): 45JX100K□G10J27/45ZY68-2430

减速比 Reduction ratio	3.71	5.18	14	19	27	51	71	100	139	189	264	369
减速级数 Number of gear trains	1	1	2	2	2	3	3	3	3	4	4	4
减速器长度(L) Length(L) mm	51.5	51.5	51.5	51.5	51.5	64.5	64.5	64.5	64.5	74.5	74.5	74.5
空载转速 No-load speed r/min	809	579	214	158	111	59	42	30	22	16	11	8
额定转速 Rated speed r/min	673	482	178	130	92	49	35	25	19	13	9	7
额定转矩 Rated torque N.m	0.15	0.2	0.54	0.73	0.1	1.8	2.6	3.6	5	6.5	9.2	10
最大瞬间允许负载 Max. permissible load in a short time N.m	1.5	1.5	6	6	6	15	15	15	15	30	30	30

电机型号(Type): 45JX100K□G10J27/45ZY68-2440

减速比 Reduction ratio	3.71	5.18	14	19	27	51	71	100	139	189	264	369
减速级数 Number of gear trains	1	1	2	2	2	3	3	3	3	4	4	4
减速器长度(L) Length(L) mm	51.5	51.5	51.5	51.5	51.5	64.5	64.5	64.5	64.5	74.5	74.5	74.5
空载转速 No-load speed r/min	1080	770	285	210	148	78	56	40	28	21	15	10
额定转速 Rated speed r/min	862	617	228	168	118	62	45	32	24	17	12	9
额定转矩 Rated torque N.m	0.15	0.2	0.54	0.73	0.1	1.8	2.6	3.6	5	6.5	9.2	10
最大瞬间允许负载 Max. permissible load in a short time N.m	1.5	1.5	6	6	6	15	15	15	15	30	30	30

56JX300K/60ZY75 永磁直流 行星齿轮电机

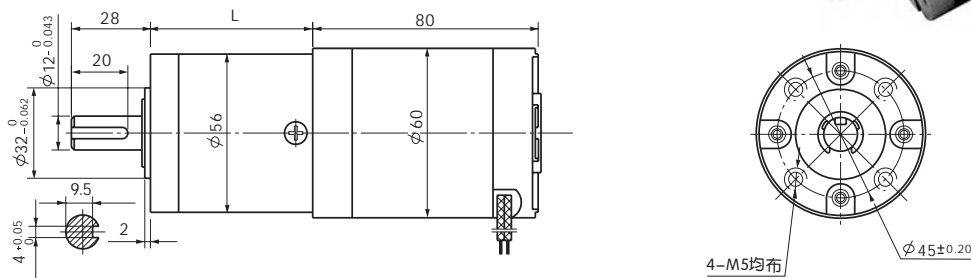
PM DC PLANETARY
GEAR MOTOR



产品特点 and 用途 Description of the product

- 直径56mm的行星齿轮减速器，允许负载30N.m。
56mm OD planetary gearbox with rated torque up to 30N.m.
- 电动机的引出线也可以是"后出线", 订货时未作特别说明的, 厂家任意供货。
Lead wires either run out through the motor housing or the rear cover.

外形和安装尺寸 Dimensions



电动机主要技术参数 Motor Technical Data

电机型号 Type	额定电压 Rated voltage (VDC)	空载转速 No-load speed (r/min)	空载电流 No-load current (mA)	额定转速 Rated speed (r/min)	额定转矩 Rated torque (mN.m)	输出功率 Output power (W)	额定电流 Rated current (mA)	堵转转矩 Stall torque (N.m)	堵转电流 Stall current (A)
60ZY75-2412	24	1200	0.16	890	40	3.7	0.43	0.15	1.1
60ZY75-2420	24	2000	0.3	1500	35	5	0.8	0.19	2.4
60ZY75-2430	24	3000	0.4	2600	40	10	1.1	0.26	5

齿轮减速电机主要技术参数 Gear motor Technical Data

电机型号(Type): 56JX300K□G12J28/60ZY75-2412

减速比 Reduction ratio	3.6	4.25	13	15	18	47	55	65	76	168	198	234	276	326
减速级数 Number of gear trains	1	1	2	2	2	3	3	3	3	4	4	4	4	4
减速器长度(L) Length(L) mm	46.0	46.0	46.0	46.0	46.0	57.5	57.5	57.5	57.5	68.5	68.5	68.5	68.5	68.5
空载转速 No-load speed r/min	333	282	92	80	67	25	22	18	16	7.1	6.1	5.1	4.3	3.7
额定转速 Rated speed r/min	247	209	68	59	49	19	16	14	12	5.3	4.5	3.8	3.2	2.7
额定转矩 Rated torque N.m	0.14	0.16	0.47	0.54	0.65	1.6	1.9	2.2	2.6	5.4	6.4	7.6	8.9	10.6
最大瞬间允许负载 Max. permissible load in a short time N.m	3	3	10	10	10	30	30	30	30	60	60	60	60	60

电机型号(Type): 56JX300K□G12J28/60ZY75-2420

减速比 Reduction ratio	3.6	4.25	13	15	18	47	55	65	76	168	198	234	276	326
减速级数 Number of gear trains	1	1	2	2	2	3	3	3	3	4	4	4	4	4
减速器长度(L) Length(L) mm	46.0	46.0	46.0	46.0	46.0	57.5	57.5	57.5	57.5	68.5	68.5	68.5	68.5	68.5
空载转速 No-load speed r/min	555	470	154	133	111	42	36	30	26	12	10	8.5	7.2	6.1
额定转速 Rated speed r/min	417	353	115	100	83	32	27	23	20	8.9	7.6	6.4	5.4	4.6
额定转矩 Rated torque N.m	0.12	0.14	0.41	0.48	0.57	1.4	1.6	1.9	2.3	4.8	5.6	6.6	7.8	9.2
最大瞬间允许负载 Max. permissible load in a short time N.m	3	3	10	10	10	30	30	30	30	60	60	60	60	60

电机型号(Type): 56JX300K□G12J28/60ZY75-2430

减速比 Reduction ratio	3.6	4.25	13	15	18	47	55	65	76	168	198	234	276	326
减速级数 Number of gear trains	1	1	2	2	2	3	3	3	3	4	4	4	4	4
减速器长度(L) Length(L) mm	45.5	45.5	45.5	45.5	45.5	56.5	56.5	56.5	56.5	67.5	67.5	67.5	67.5	67.5
空载转速 No-load speed r/min	833	706	230	200	167	64	54	46	39	18	15	13	11	9.2
额定转速 Rated speed r/min	694	588	192	167	139	53	45	38	33	15	12	10	9.0	7.7
额定转矩 Rated torque N.m	0.14	0.16	0.47	0.54	0.65	1.6	1.9	2.2	2.6	5.4	6.4	7.6	8.9	10.6
最大瞬间允许负载 Max. permissible load in a short time N.m	3	3	10	10	10	30	30	30	30	60	60	60	60	60

56JX300K/60ZY105 永磁直流行星齿轮电机

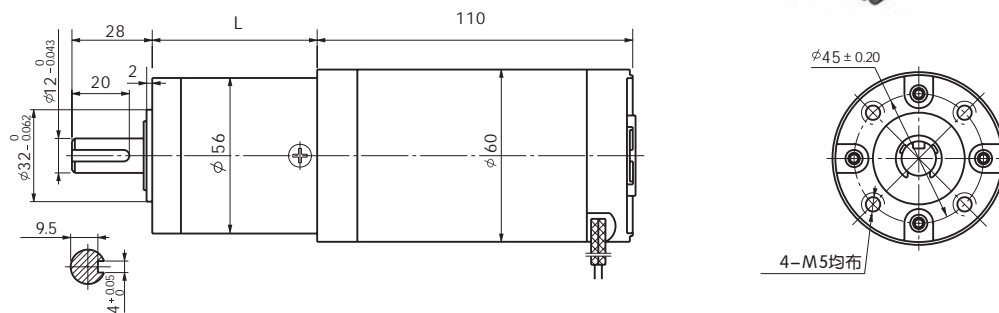
PM DC PLANETARY GEAR MOTOR

产品特点 and 用途 Description of the product

1. 直径56mm的行星齿轮减速器, 允许负载30N.m。
56mm OD planetary gearbox with rated torque up to 30N.m.
2. 电动机的引出线也可以是"后出线", 订货时未作特别说明的, 厂家任意供货。
Lead wires either run out through the motor housing or the rear cover.



外形和安装尺寸 Dimensions



电动机主要技术参数 Motor Technical Data

电机型号 Type	额定电压 Rated voltage (VDC)	空载转速 No-load speed (r/min)	空载电流 No-load current (mA)	额定转速 Rated speed (r/min)	额定转矩 Rated torque (mN.m)	输出功率 Output power (W)	额定电流 Rated current (mA)	堵转转矩 Stall torque (N.m)	堵转电流 Stall current (A)
60ZY105-2420	24	2000	0.32	1550	125	20	1.6	0.55	6.0
60ZY105-2430	24	3000	0.4	2500	125	30	2.2	0.72	10.8

齿轮减速电机主要技术参数 Gear motor Technical Data

电机型号(Type):56JX300K□G12J28/60ZY105-2420

减速比 Reduction ratio	3.6	4.25	13	15	18	47	55	65	76	168	198	234	276	326
减速级数 Number of gear trains	1	1	2	2	2	3	3	3	3	4	4	4	4	4
减速器长度(L) Length(L) mm	46.0	46.0	46.0	46.0	46.0	57.5	57.5	57.5	57.5	77.0	77.0	77.0	77.0	77.0
空载转速 No-load speed r/min	555	470	154	133	111	42	36	30	26	12	10	8.5	7.2	6.1
额定转速 Rated speed r/min	430	365	119	103	86	33	28	24	20	9.2	7.8	6.6	5.6	4.7
额定转矩 Rated torque N.m	0.43	0.5	1.4	1.7	2.0	5.0	5.8	7.3	8.1	17	20	23.7	27.9	30
最大瞬间允许负载 Max. permissible load in a short time N.m	4.5	4.5	15	15	15	30	30	30	30	45	45	45	45	45

电机型号(Type):56JX300K□G12J28/60ZY105-2430

减速比 Reduction ratio	3.6	4.25	13	15	18	47	55	65	76	168	198	234	276	326
减速级数 Number of gear trains	1	1	2	2	2	3	3	3	3	4	4	4	4	4
减速器长度(L) Length(L) mm	46.0	46.0	46.0	46.0	46.0	57.5	57.5	57.5	57.5	77.0	77.0	77.0	77.0	77.0
空载转速 No-load speed r/min	833	706	230	200	167	64	54	46	39	18	15	13	11	9.2
额定转速 Rated speed r/min	694	588	192	167	139	53	45	38	33	15	12	10	9.0	7.7
额定转矩 Rated torque N.m	0.43	0.50	1.4	1.7	2.0	5.0	5.8	7.3	8.1	17.0	20.0	23.7	27.9	30
最大瞬间允许负载 Max. permissible load in a short time N.m	4.5	4.5	15	15	15	30	30	30	30	45	45	45	45	45

56JX300K/63ZY125

永磁直流 行星齿轮电机

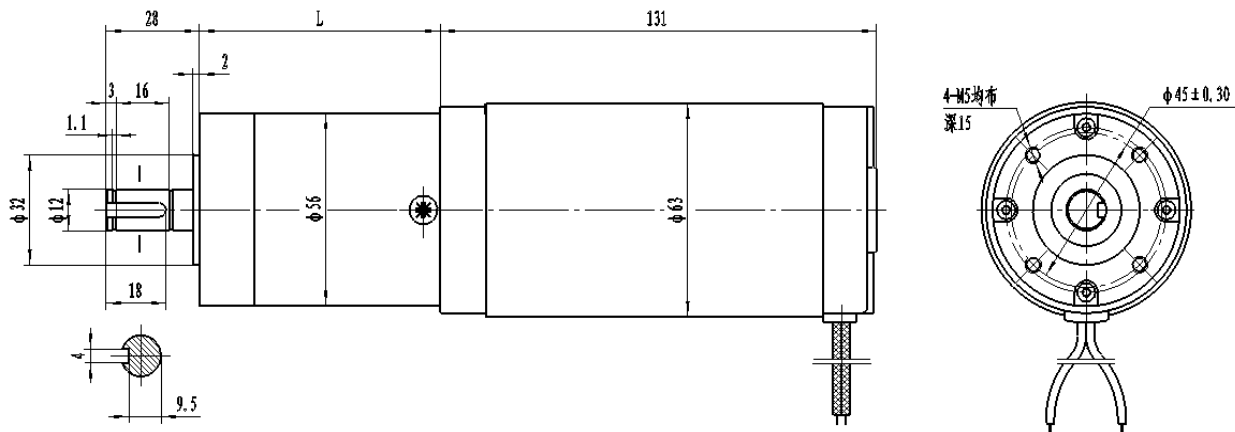
PM DC PLANETARY GEAR MOTOR



●产品特点 and 用途 Description of the product

1. 直径56mm行星齿轮减速器，允许负载45N.m。
56mm OD planetary gearbox with rated torque up to 45N.m.
2. 电动机的引出线也可以是“后出线”，订货时未作特别说明的，厂家任意供货。
Lead wires either run out through the motor housing or the rear cover.

●外形和安装尺寸 Dimensions



●电动机主要技术参数 Motor Technical Data

电机型号 TYPE	额定电压 Rated voltage (VDC)	空载转速 No-load speed (r/min)	空载电流 No-load current (A)	额定转速 Rated speed (r/min)	额定转矩 Rated torque (mN.m)	输出功率 Output power (W)	额定电流 Rated current (A)	堵转转矩 Stall torque (N.m)	堵转电流 Stall current (A)
63ZY125-2420	24	2000	0.4	1550	210	45	3.8	0.9	16
63ZY125-2430	24	3000	0.5	2600	250	70	4.6	1.1	20

●齿轮减速电机主要技术参数 Gear motor Technical Data

63ZY125-2420电机配置直径56mm减速器的完整型号：56JX300K□G12J28/63ZY125-2420(键槽轴，直径12mm，长度28mm，□内填写减速比)

减速比	Reduction ratio	3.6	4.25	13	15	18	47	55	65	76	168	198	234	276
减速级数	Number of gear trains	1	1	2	2	2	3	3	3	3	4	4	4	4
减速器长度(L)	Length(L)	mm	53	53	53	61	61	72	72	72	84	84	84	84
空载转速	No-load speed	r/min	556	471	154	133	111	43	36	31	26	12	10	9
额定转速	Rated speed	r/min	431	365	119	103	86	33	28	24	20	9	8	7
额定转矩	Rated torque	N.m	0.68	0.803	2.211	2.552	3.062	7.195	8.42	9.951	11.63	23.15	27.28	32.24
最大瞬间允许负载 Max. permissible load in a short time	N.m	4.5	4.5	15	15	15	30	30	30	30	30	45	45	45

63ZY125-2430电机配置直径56mm减速器的完整型号：56JX300K□G12J28/63ZY125-2430(键槽轴，直径12mm，长度28mm，□内填写减速比)

减速比	Reduction ratio	3.6	4.25	13	15	18	47	55	65	76	168	198	234	276
减速级数	Number of gear trains	1	1	2	2	2	3	3	3	3	4	4	4	4
减速器长度(L)	Length(L)	mm	53	53	53	61	61	72	72	72	84	84	84	84
空载转速	No-load speed	r/min	833	706	231	200	167	64	55	46	39	18	15	13
额定转速	Rated speed	r/min	722	612	200	173	144	55	47	40	34	15	13	11
额定转矩	Rated torque	N.m	0.81	0.956	2.633	3.038	3.645	8.566	10.02	11.85	13.85	27.56	32.48	38.38
最大瞬间允许负载 Max. permissible load in a short time	N.m	4.5	4.5	15	15	15	30	30	30	30	30	45	45	45