

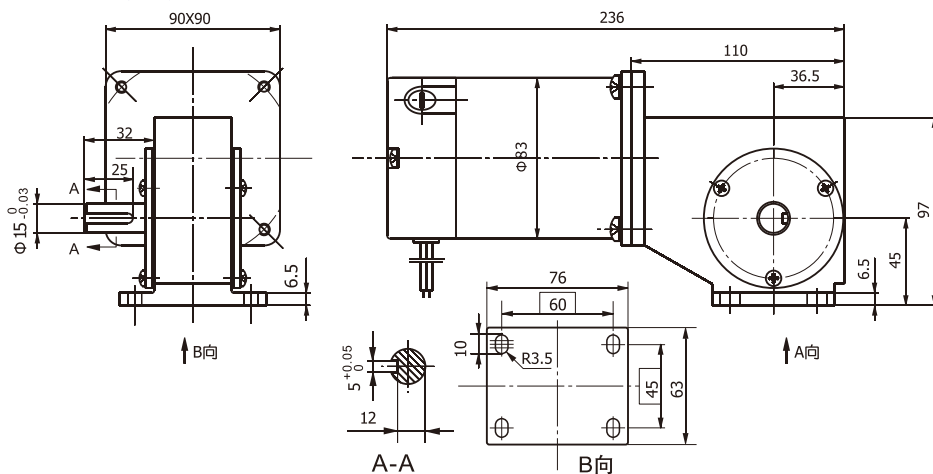
90JW/83ZY125

允许转矩范围: 20N.m
Permissible Load Range: 20N.m

产品特点 and 用途 Description of The Product

- 1、全部滚动轴承的配置, 可以提供左出轴、右出轴、空心出轴。
- 2、客户可以在空心出轴内自行配置各种长度、形状、方向的输出轴。
- 1、All equipped with ball bearings, left, right or hollow output shaft are available.
- 2、Customers can equip output shafts of different length, shape or directions within hollow shaft.

外形和安装尺寸 Dimensions



说明: 产品出厂时左出轴是常规配置, 如要求右出轴需在订货时特别说明。
Remarks: Standard product is left output shaft, right output shaft is available upon request.

电动机主要技术参数 Motor Technical Data

电动机型号 TYPE	额定电压 Rated voltage VDC	空载转速 No-load speed r/min	空载电流 No-load current A	额定转速 Rated speed r/min	额定转矩 Rated torque N.m	输出功率 Output power W	额定电流 Rated current A	堵转转矩 Stall torque N.m	堵转电流 Stall current A
83ZY125-2420	24	2000	0.8	1700	0.24	42	3.5	1.6	17
83ZY125-2430	24	3000	0.9	2500	0.30	77	4.6	1.8	20

齿轮减速电机主要技术参数 Gear Motor Technical Data

配置83ZY125-2420直流电机 (83ZY125-2420 DC Motor)

减速比 Reduction ratio	50	40	32	25	16	12.5
蜗杆头数 Number of threads	1	1	1	1	2	2
空载转速 No-load speed r/min	40	50	62	80	125	160
额定转速 Rated speed r/min	30	37	46	60	93	120
额定转矩 Rated torque N.m	8.4	6.7	5.3	4.2	3.0	2.4
允许转矩 Permissible load N.m	20	20	20	20	10	10

配置83ZY125-2430直流电机 (83ZY125-2430 DC Motor)

减速比 Reduction ratio	50	40	32	25	16	12.5
蜗杆头数 Number of threads	1	1	1	1	2	2
空载转速 No-load speed r/min	60	75	93	120	187	240
额定转速 Rated speed r/min	46	57	71	92	143	184
额定转矩 Rated torque N.m	10.5	8.4	6.7	5.2	3.8	3.0
允许转矩 Permissible load N.m	20	20	20	20	10	10